

# RR FLAP GATE

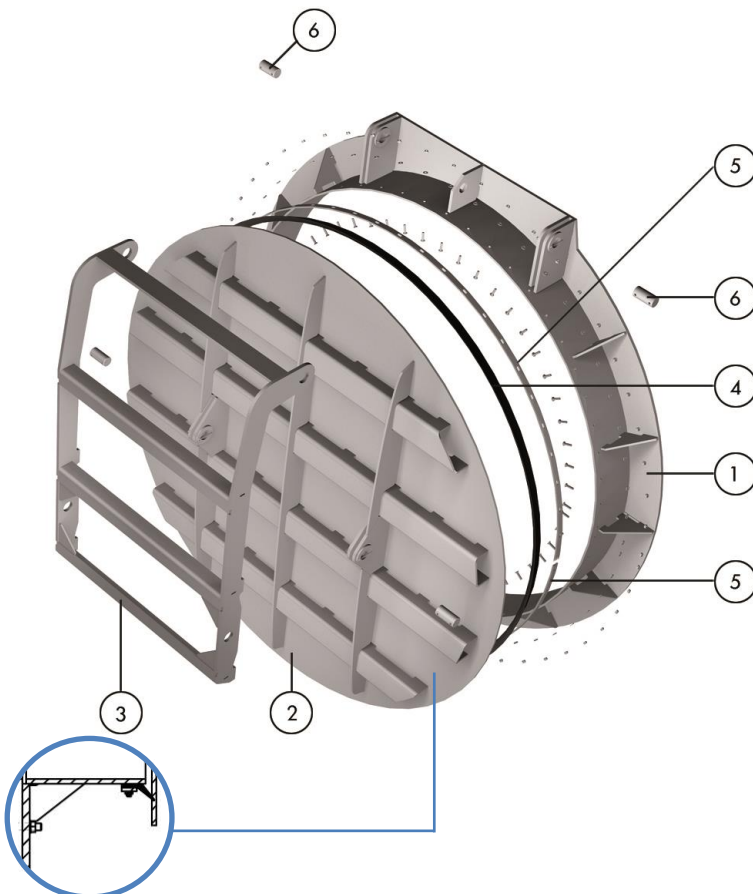
The RR flap gate is a round shaped gate designed for discharge lines such as levees, sewer lines and drainage conduits, when closed preventing back-flow and opening automatically when the unseating water head is higher than the seating water head

## Product description:

- Size range of d150 up to d2000
- Seating head pressure of 5 m.w.c
- Stainless steel fabricated construction. Different stainless steel grades available
- Opening and closing by seating and unseating head differential pressure. Hydraulic actuators available for fast opening applications (i.e.: storm tanks)
- Designed according to DIN 19569

## Features:

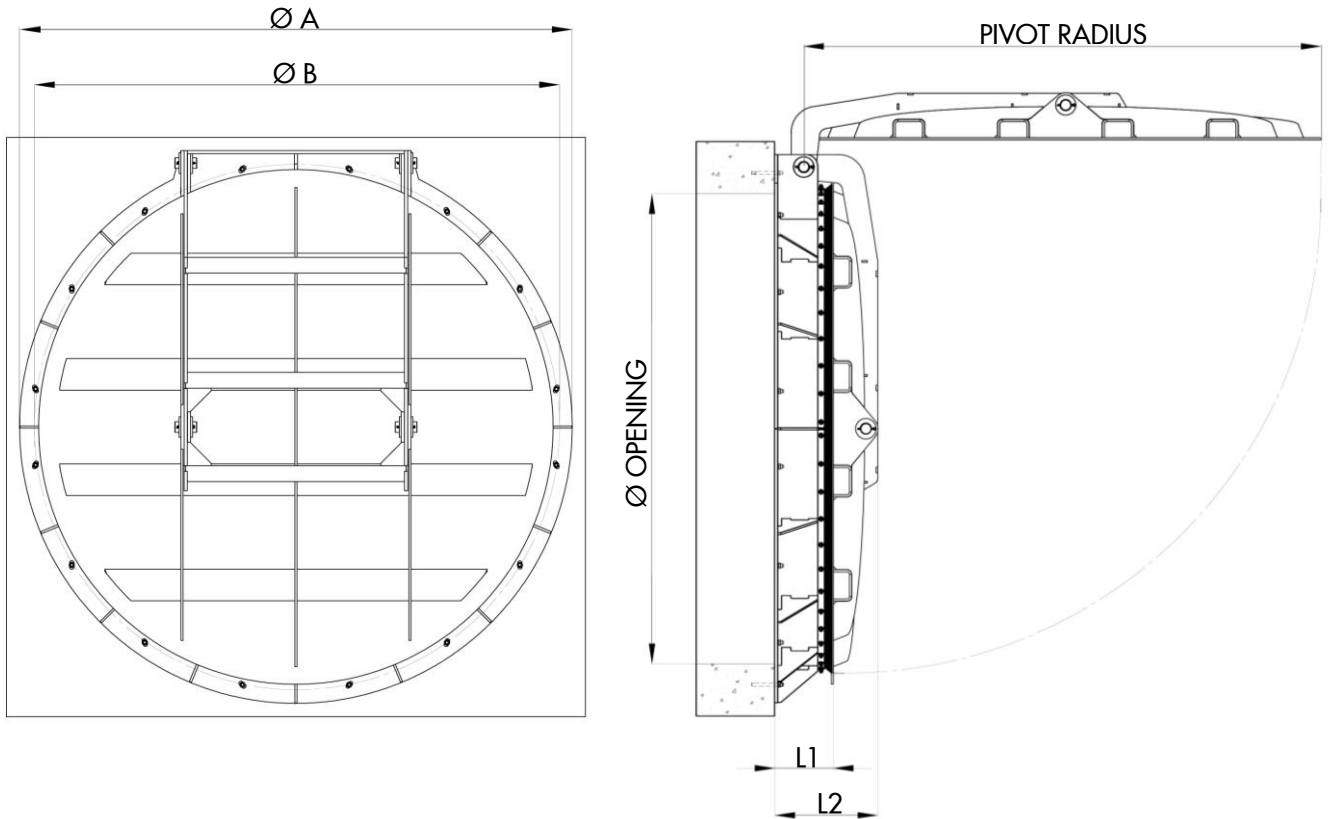
- Double pivoting arm to allow proper flap seating and tight sealing
- Self-adjusting lip EPDM seal design ensuring watertight performance even with low seating water heads
- Mounting options: wall mount, wall thimble mount or standard flange mount
- Leakage rate as per DIN 19569-4 Class 3



## STANDARD MATERIAL OF CONSTRUCTION

ITEM	DESCRIPTION	MATERIAL
1	Frame	AISI 304 / AISI 304L / AISI 316 / AISI 316L
2	Flap	AISI 304 / AISI 304L / AISI 316 / AISI 316L
3	Pivot Arm	AISI 304 / AISI 304L / AISI 316 / AISI 316L
4	Seal	EPDM
5	Seal Retainer	AISI 304 / AISI 304L / AISI 316 / AISI 316L
6	Hinge Pin	AISI 304 / AISI 304L / AISI 316 / AISI 316L

## DIMENSIONS



SIZE (mm) Opening Diameter	A	B	L1	L2	PIVOT RADIUS
150	285	235	105	158	267
200	340	290	105	158	316
300	445	395	105	158	415
400	565	515	106	158	514
500	670	620	106	158	614
600	780	730	106	184	714
700	895	845	106	184	814
800	1015	965	106	184	913
900	1115	1065	106	212	1013
1000	1215	1165	106	212	1113
1100	1315	1265	106	212	1213
1200	1455	1405	117	212	1313
1300	1560	1510	123	212	1413
1400	1625	1625	148	212	1513
1500	1815	1760	148	288	1625
2000	2325	2230	220	398	2185

These dimensions are only for information only.  
Do not use for installation or submittal purposes